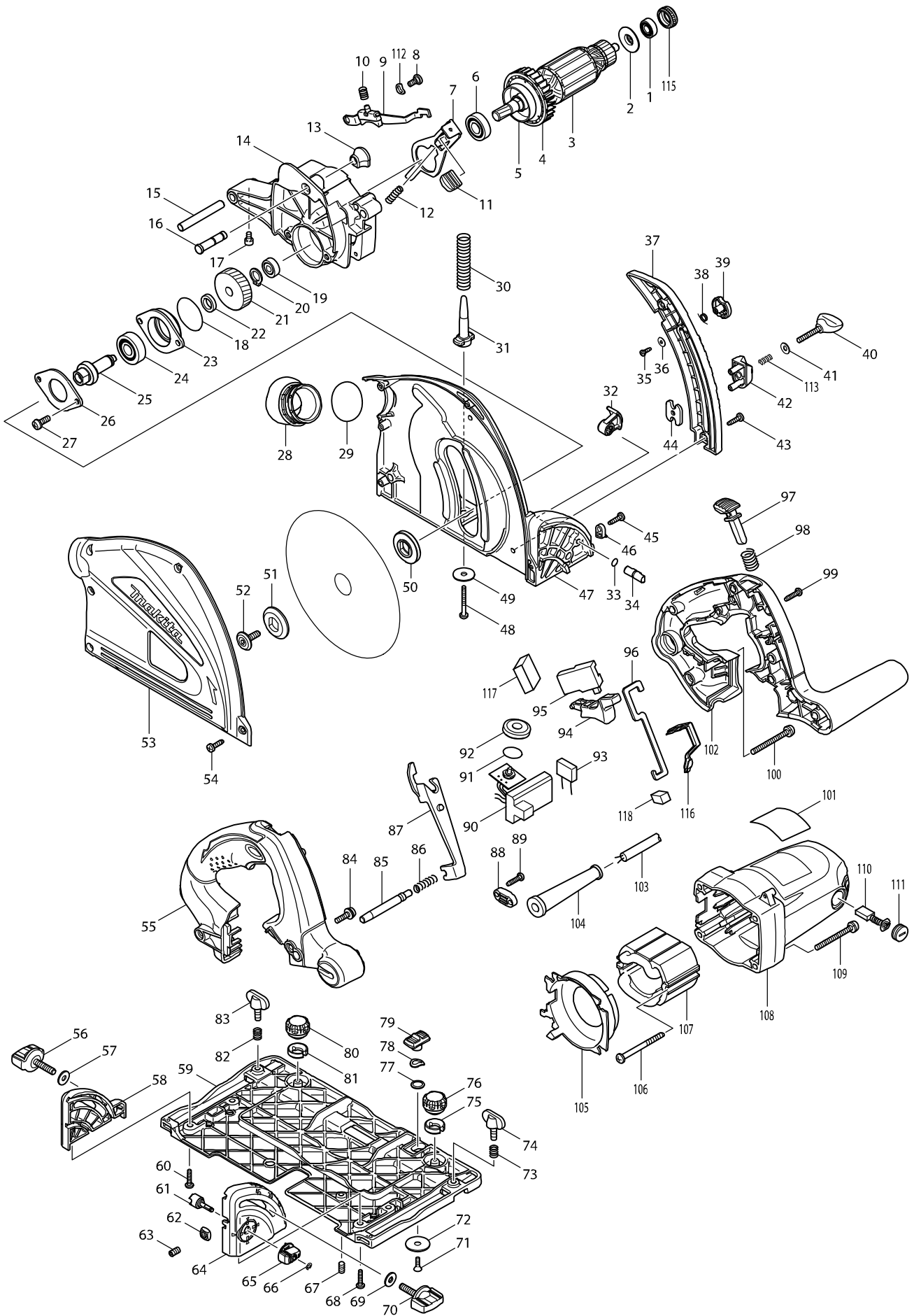


모델번호 SP6000 PLUNGE CUT CIRCULAR SAW 165MM



**모델명 : SP6000J2**

도번	부품코드	품명	단위
001	210013-5	BALL BEARING 6987LLU	EA
002	681634-4	INSULATION WASHER	EA
003	513678-5	ARMATURE ASSY 220-240V	PC
004	240091-1	FAN 60	PC
005	345767-6	DRUM	PC
006	211131-2	BALL BEARING 6001DDW	PC
007	345742-2	SHAFT LOCK	PC
008	265011-4	+ BINDING HEAD SCREW M5	PC
009	158096-6	SHOE COMPLETE	PC
010	233480-7	COMPRESSION SPRING 7	PC
011	286275-7	CAP	EA
012	233084-5	COMPRESSION SPRING 6	PC
013	286278-1	CAP	PC
014	158092-4	GEAR HOUSING COMPLETE	PC
014	263002-9	RUBBER PIN 4	EA
015	324716-6	PIN 8	PC
016	324708-5	STOPPER PIN 8	PC
017	265913-4	HEX. SOCKET HEAD BOLT M5X8	PC
018	213512-6	O RING 39	PC
019	211021-9	BALL BEARING 607LLB	EA
020	961052-5	RETAINING RING S-12	EA
021	226637-7	HELICAL GEAR 39	PC
022	257010-0	RING 12	PC
023	318088-9	BEARING BOX	PC
024	211129-9	BALL BEARING 6201LLU(DDW)	EA
025	324707-7	SPINDLE	PC
026	285689-7	BEARING RETAINER 55	PC
027	911221-8	PAN HEAD SCREW M5X16	EA
028	419620-3	DUST NOZZLE	PC
029	213460-9	O RING 35	EA
030	233479-2	COMPRESSION SPRING 11	PC
031	419624-5	SPRING HOLDER	PC
032	158095-8	LEVER 20 COMPLETE	PC
032	263002-9	RUBBER PIN 4	EA
033	213021-5	O RING 5	EA
034	324710-8	PIN 8	PC
035	266007-8	TAPPING SCREW BIND PT3X10	PC
036	253821-1	FLAT WASHER 3	PC
037	419625-3	DEPTH GUIDE	PC
038	231665-9	TORSION SPRING 7	PC
039	419630-0	LOCK LEVER	PC
040	251867-1	SCREW M5X30	EA
041	941101-4	FLAT WASHER 5	EA
042	419623-7	STOPPER BLOCK	PC
043	266034-5	TAPPING SCREW CT 4X16	EA
044	345744-8	NUT PLATE	PC
045	266034-5	TAPPING SCREW CT 4X16	EA
46	419632-6	POSITION PLATE	PC
47	158547-9	BLADE CASE COMPLETE	PC
48	266053-1	TAPPING SCREW FLANGE PT 4X35	PC
49	253010-8	FLAT WASHER 6	PC
50	224406-0	INNER FLANGE 35	PC
51	224405-2	OUTER FLANGE 35	PC
52	266403-0	HEX. SOCKET HEAD BOLT M6	PC
53	318084-7	BLADE CASE COVER	PC
54	266034-5	TAPPING SCREW CT 4X16	EA

**모델명 : SP6000J2**

도번	부품코드	품명	단위
55	188197-6	HANDLE SET	PC
56	265776-8	THUMB SCREW M5*33	EA
57	253111-2	FLAT WASHER 6	PC
58	419596-4	REAR ANGULAR GUIDE	PC
59	318179-6	BASE	PC
60	265995-6	TAPPING SCREW 4X18	EA
61	324731-0	STOPPER PIN	PC
62	252157-5	SQUARE NUT M6	EA
63	266085-8	HEX. SOCKET SETSCREW M6X10	PC
64	419595-6	FRONT ANGULAR GUIDE	PC
65	419571-0	DIAL 22	PC
66	961017-7	STOP RING E-3	EA
67	266085-8	HEX. SOCKET SETSCREW M6X10	PC
68	265995-6	TAPPING SCREW 4X18	EA
69	253111-2	FLAT WASHER 6	PC
70	265776-8	THUMB SCREW M5*33	EA
71	912112-6	COUNTERSUNK HEAD SCREW M4X10	PC
72	345748-0	LOCK WASHER	PC
73	231316-4	COMPRESSION SPRING 7	PC
74	265701-9	SCREW M6X14	PC
75	419627-9	HOLDER	PC
76	265775-0	THUMB SCREW M5*33	EA
77	345977-5	PLATE	PC
78	253932-2	WAVE WASHER 10	PC
79	419621-1	SLIDE LEVER	PC
80	265775-0	THUMB SCREW M5*33	EA
81	419627-9	HOLDER	PC
82	231316-4	COMPRESSION SPRING 7	PC
83	265701-9	SCREW M6X14	PC
84	922232-8	HEX. SOCKET HEAD BOLT M5X20	PC
85	324709-3	LOCK PIN 8	PC
86	233267-7	COMPRESSION SPRING 7	PC
87	419631-8	LOCK PLATE	PC
88	687052-4	STRAIN RELIEF	EA
89	265995-6	TAPPING SCREW 4X18	EA
90	631729-3	CONTROLLER	PC
91	213261-5	O RING 17	EA
92	418905-4	DIAL JR3070CT	EA
93	645185-1	NOISE SUPPRESSOR	PC
94	419622-9	SWITCH LEVER	PC
95	651922-3	SWITCH TG71B	EA
96	345745-6	LINK PLATE	PC
97	419629-5	LOCK OFF BUTTON	PC
98	233089-5	COMPRESSION SPRING 12	EA
99	265995-6	TAPPING SCREW 4X18	EA
100	911273-9	PAN HEAD SCREW M5X50	PC
101	862913-1	SP6000 NAME PLATE	PC
102	188197-6	HANDLE SET	PC
103	665890-4	POWER SUPPLY CORD 1.0-2-4.0	PC
104	682540-6	CORD GUARD 9.3-90	EA
105	419626-1	BAFFLE PLATE	PC
106	266044-2	TAPPING SCREW FLANGE PT 5X60	EA
107	525743-8	FIELD ASSY 220-240V	PC
107	654020-2	RING TERMINAL	PC
107	654501-6	CONNECTOR P-1.25	PC
108	158094-0	MOTOR HOUSING COMPLETE	PC

**모델명 : SP6000J2**

도번	부품코드	품명	단위
108	643708-9	BRUSH HOLDER 5-11	PC
109	911273-9	PAN HEAD SCREW M5X50	PC
110	191963-2	CARBON BRUSH CB-303	SET
111	643750-0	BRUSH HOLDER CAP	EA
112	267781-1	WAVE WASHER 7	PC
113	231372-4	COMPRESSION SPRING 5	PC
115	421479-6	RUBBER RING 19	PC
116	424047-4	PACKING	PC
117	424050-5	SPONGE	PC
118	443137-4	FELT	PC
A01	B-07353	T.C.T.SAW BLADE 165X2.2X20 48T	PC
A02	783203-8	HEX. WRENCH 5	PC
A03	165447-6	SUB BASE	PC
B01	194368-5	GUIDE RAIL 1400 SET FOR BJV140	EA
B01-1	413101-9	SEAT 1400	EA
B01-2	423359-2	POSITION SEAT 1400	EA
B01-3	423361-5	RUBBER SEAT 1400	EA
B02	194367-7	GUIDE RAIL 3000 SET	EA
B03	194385-5	CLAMP SET	EA
B04A	196664-7	BEVEL GUIDE SET FOR SP6000	PC.
B05	194925-9	GUIDE RAIL 1.9M	PC.
B06	B-10344	T.C.T.SAW BLADE 165X20X48T(인조대리석용)	PC
B07	B-07440	TCT SAW BLADE 165X20X56T(알루미늄용)	PC
K01	K-30905	JOINT BAR SET(2PCS/1SET)	PC
Z01	345825-8	SCALE PLATE	PC