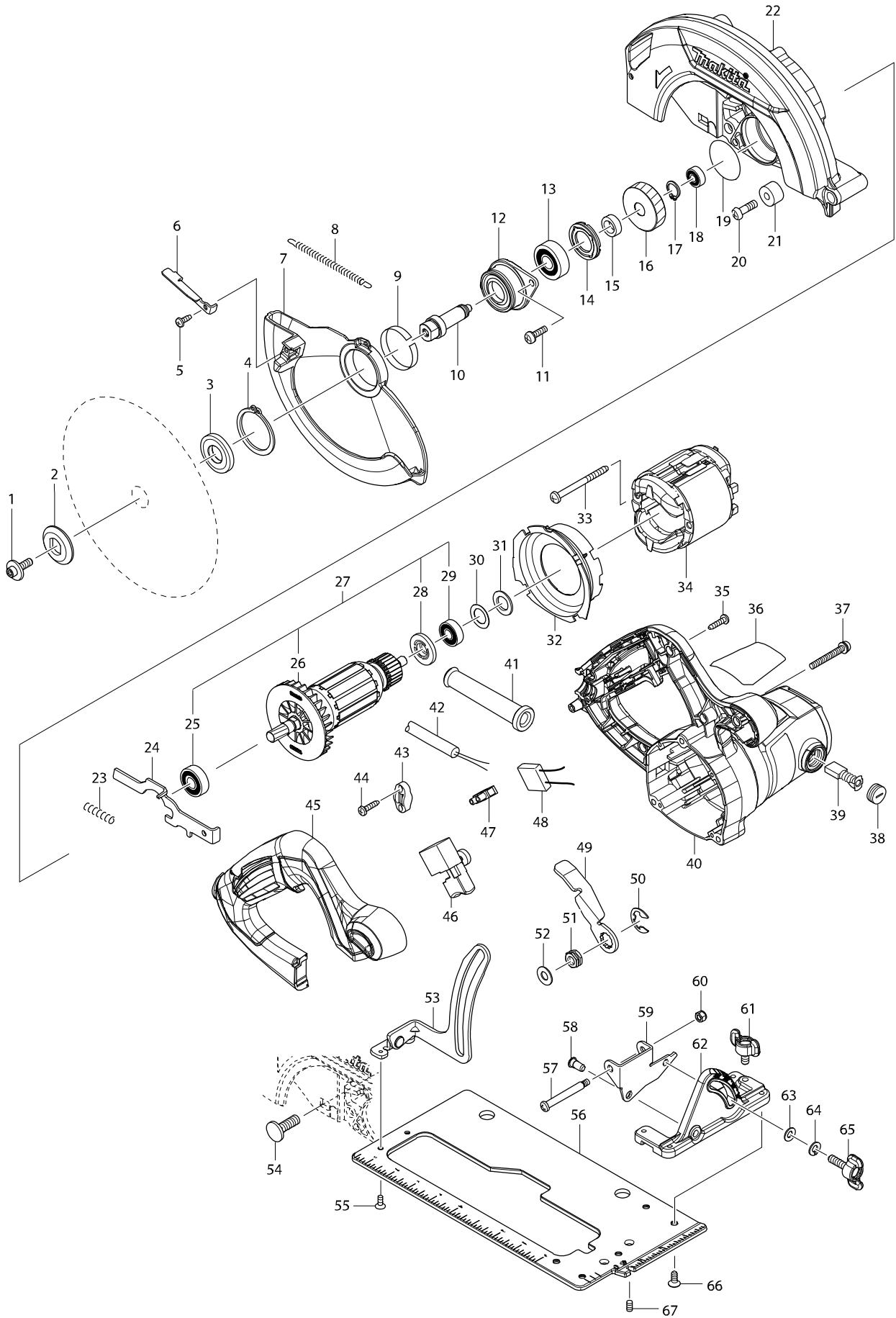


모델번호 HS7600 CIRCULAR SAW 185MM



모델명 : HS7600

도번	부품코드	품명	단위	소요량
001	266024-8	HEX. SOCKET HEAD BOLT M6X20	EA	1
002	224409-4	OUT FLANGE35	EA	1
003	224472-7	INNER FLANGE 35	EA	1
004	961155-5	RETAINING RING S-38	PC	1
005	266398-7	TAPPING SCREW CT 4X12	EA	1
006	345931-9	LEVER PLATE	EA	1
007	319188-8	SAFETY COVER	EA	1
008	231887-1	TENSION SPRING 4	EA	1
009	345391-5	THICKNESS RING	PC	1
010	326444-9	SPINDLE	EA	1
011	911226-8	PAN HEAD SCREW M5X18	EA	2
012	319088-2	BEARING BOX	EA	1
013	211129-9	BALL BEARING 6201LLU(DDW)	EA	1
014	285852-2	BEARING RETANER 19-33	EA	1
015	257173-2	RING 12	EA	1
016	227793-6	HELICAL GEAR 38	EA	1
017	961052-5	RETAINING RING S-12	EA	1
018	210028-2	BALL BEARING 606ZZ	PC	1
019	213512-6	O RING 39	PC	1
020	265117-8	+PAN HEAD SCREW M6X20	EA	1
021	262556-3	RUBBER SLEEVE 6	EA	1
022	142796-8	BLADE CASE COMPLETE	EA	1
022-1	213821-3	O-RING 26	EA	1
023	233117-6	COMPRESSION SPRING 6	PC.	1
24	345317-7	SHAFT LOCK	PC	1
25	210059-1	BALL GEARING 6000DDW	PC	1
26	240064-4	FAN 70	EA	1
27	513908-4	ARMATURE ASSY 220V	EA	1
28	681644-1	INSULATED WASHER	PC	1
29	210005-4	BALL BEARING 608LLU(DDW)	EA	1
30	253192-6	FLAT WASHER 14	PC	1
31	261103-7	RUBBER WASHER 13	PC.	1
32	455354-4	BAFFLE PLATE	EA	1
33	266329-6	TAPPING SCREW 5X60	PC	2
34	594643-3	FIELD ASSY 220V	EA	1
034-1	654020-2	RING TERMINAL	PC	2
034-2	654501-6	CONNECTOR P-1.25	PC	2
35	266326-2	TAPPING SCREW 4X18	PC	5
36	850H04-8	HS7600 NAME PLATE	EA	1
37	265104-7	PAN HEAD SCREW M5X40	PC	3
38	643750-0	BRUSH HOLDER CAP	EA	2
039a	B-80379	CARBON BRUSH SET CB-303A	SET	1
40	142872-8	MOTOR HOUSING COMPLETE	EA	1
040-1	643708-9	BRUSH HOLDER 5-11	PC	2
41	682540-6	CORD GUARD 9.3-90	EA	1
42	696519-1	POWER SUPPLY CORD 1.0-2-2.5	EA	1
43	687124-5	STRAIN RELIEF	PC	1
44	266326-2	TAPPING SCREW 4X18	PC	2
45	455353-6	HANDLE COVER	EA	1
46	651284-9	SWITCH SGEL115CDY-6	EA	1
47	654532-5	TERMINAL BLOCK 1P	EA	1
48	645192-4	NOISE SUPPRESSOR	PC	1
49	346311-2	LEVER PLATE	PC.	1
50	257953-6	BOW STOP RING E-12	PC	1
51	252199-9	HEX NUT M8-13	EA	1
52	941201-0	FLAT WASHER 8	EA	1

모델명 : HS7600

도번	부품코드	품명	단위	소요량
53	163546-8	DEPTH GUIDE COMPLTE	EA	1
54	266396-1	FLAT H.SQUARE NECK BOLT M8X24	EA	1
55	912107-9	COUNTER HEAD SCREW M4X8	PC	2
56	346839-0	BASE	EA	1
57	265118-6	PAN HEAD SCREW M5	EA	1
58	256480-0	SHOULDER PIN 6-7	EA	1
59	345368-0	ANGULAR GUIDE	PC	1
60	252103-8	HEX.LOCK NUT M5-8	PC	1
61	265765-3	THUMB SCREW M6X21	PC	1
62	317031-5	ANGULAR PLATE	PC	1
63	941151-9	FLAT WASHER 6	EA	1
64	942151-2	SPRING WASHER 6	EA	1
65	265765-3	THUMB SCREW M6X21	PC	1
66	912212-2	COUNTERSUNK HEAD SCREW M5X12	PC	5
67	266436-5	H.S.SET SCREW(FLAT POINT)M5X8	EA	2
A01	783217-7	HEX. WRENCH 5	PC	1
A02	164095-8	GUIDE RULE	PC	1
A03	A-80628	TCT. SAW BLADE 185X40TX20	PC	1
V01	196843-7	Dust nozzle Joint For HS7600	EA	0