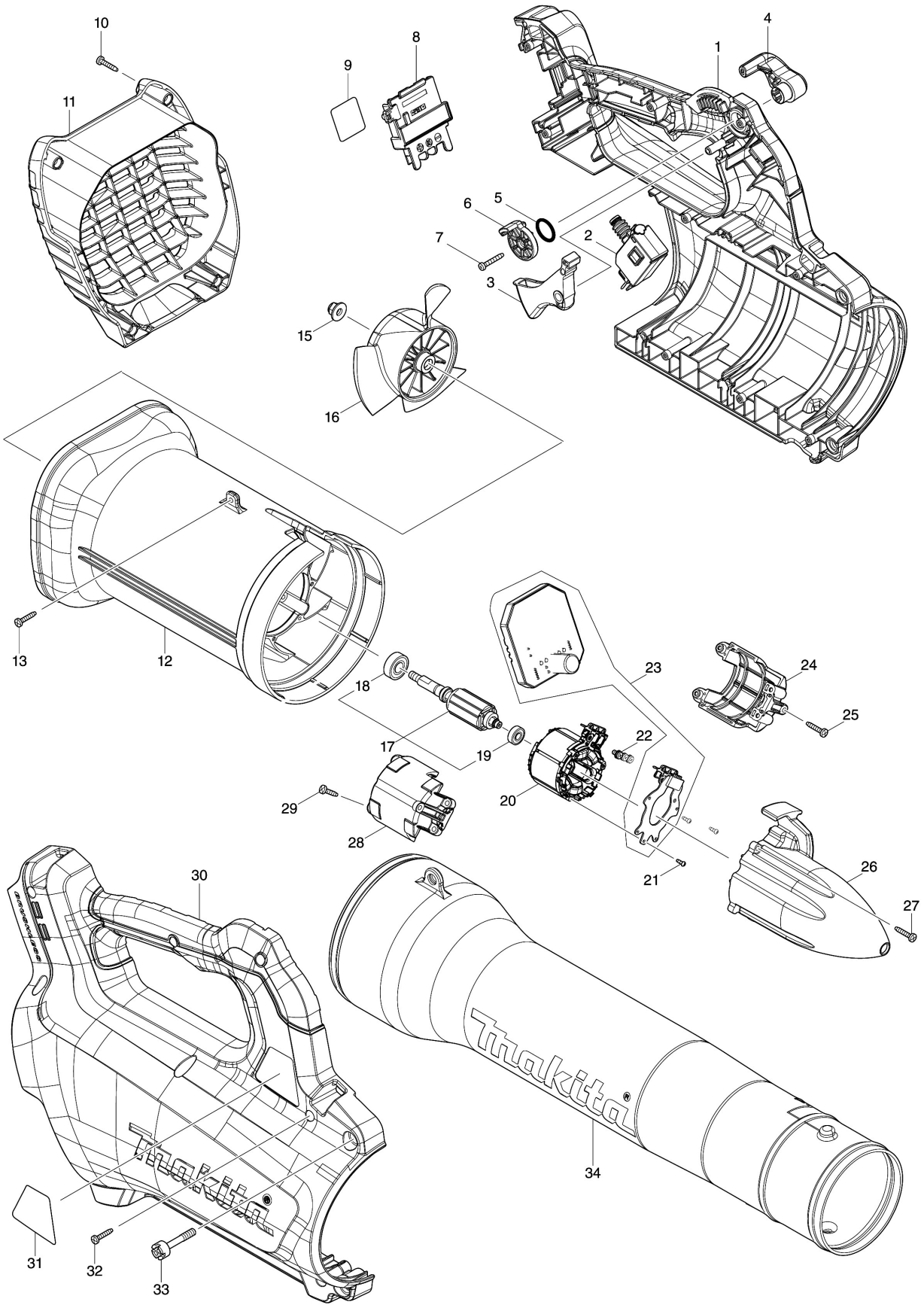


.6G4#\* &



**모델명 : DUB184**

도번	부품코드	품명	단위	소요량
001	183N88-0	HOUSING SET	EA	1
002	651395-0	SWITCH C3JW-6B-PA6N	EA	1
003	459696-8	SWITCH LEVER	EA	1
004	459697-6	CONTROL LEVER	EA	1
005	213154-6	O RING 14	EA	1
006	459698-4	LINK	EA	1
007	266127-8	+ TAPPING SCREW PT 3X20	PC.	1
008	643874-2	TERMINAL	EA	1
009	856D78-3	DUB184 SERIAL NO. LABEL	EA	1
010	266130-9	TAPPING SCREW BIND	EA	4
011	459699-2	REAR COVER	EA	1
012	459695-0	FAN HOUSING	EA	1
013	266130-9	TAPPING SCREW BIND	EA	3
015	252286-4	COLLARED HEX.LOCK NUT M5-8	EA	1
016	240177-1	FAN 110	PC.	1
017	519580-0	ROTOR ASSY	EA	1
018	210040-2	BALL BEARING 698LLU	EA	1
019	211157-4	BALL BEARING 695ZZ	EA	1
020	629292-8	STATOR DC18V	EA	1
021	266490-9	TAPPING SCREW PT 2X6	EA	3
022	652069-6	FLAT HEAD SCREW M3X6	EA	3
023	620B77-7	CONTROLLER	EA	1
024	183M64-8	MOTOR HOUSING SET	EA	1
025	266130-9	TAPPING SCREW BIND	EA	2
026	459700-3	CAP	EA	1
027	266130-9	TAPPING SCREW BIND	EA	3
028	183M64-8	MOTOR HOUSING SET	EA	1
029	266130-9	TAPPING SCREW BIND	EA	4
30	183N88-0	HOUSING SET	EA	1
31	856D71-7	DUB184 NAME PLATE	EA	1
32	266130-9	TAPPING SCREW BIND	EA	9
33	251570-4	HEX.SOCKET HEAD BOLT M5*30	EA	2
34	459701-1	FRONT NOZZLE	EA	1
A01	783202-0	HEX.WRENCH 4	PC	1
B01	191B21-6	ADAPTER PIPE	EA	1
B02	197889-6	FLAT NOZZLE SET	PC.	1
B03	197888-8	EXTENSION NOZZLE SET	PC.	1
B04	166094-6	SHOULDER BELT	PC.	1