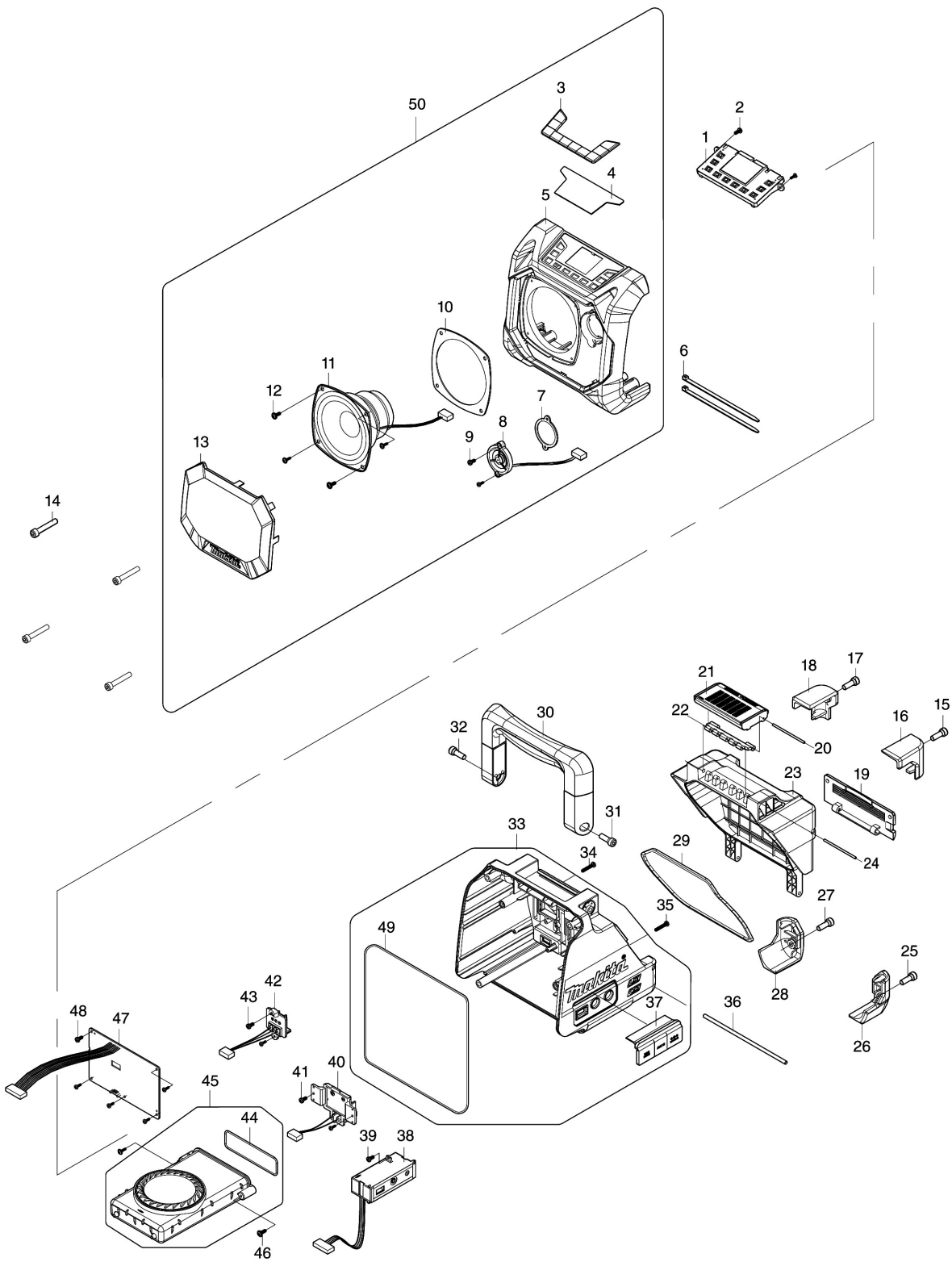


모델명.DMR203



모델명 : DMR203

도번	부품코드	품명	단위	소요량
001	SE00000796	PCB C ASSY	EA	1
002	SE00000521	SCREW PTB 3X8(ZK) 29S16308001	EA	2
003	SE00000797	RUBBER KEY	EA	1
004	SE00000798	DISPLAY PLATE	EA	1
005	SE00000799	FRONT CABINET(BLUE)	EA	1
006	SE00000195	W/TIES 100MM	PC.	2
007	SE00000801	SPEAKER PACKING B	EA	1
008	SE00000802	TWEETER SPEAKER ASSY	EA	1
009	SE00000521	SCREW PTB 3X8(ZK) 29S16308001	EA	2
010	SE00000803	SPEAKER PACKING A	EA	1
011	SE00000804	MAIN SPEAKER ASSY	EA	1
012	SE00000557	SCREW PTPW 3X10(ZK) 29S1531000	EA	4
013	SE00000805	SPEAKER GRILL ASSY	EA	1
014	SE00000530	SCREW PTHE 6X37(CR) 29S1793701	EA	4
015	SE09176166	HEX SCREW M6X16	PC.	1
016	SE00000531	BATTERY BUMPER R 3163B30000010	EA	1
017	SE09176166	HEX SCREW M6X16	PC.	1
018	SE00000532	BATTERY BUMPER L 3162B30000010	EA	1
019	SE00000534	PHONE COVER ASSY 011B3A5	EA	1
020	SE00000533	PIN D2X88 2100B300100	EA	1
021	SE00000535	LOCKER COVER 3121B30000010	EA	1
022	SE00000536	LOCKER HINGE 3300B30000010	EA	1
023	SE00000537	BATTERY COVER (BLUE) 3120B3000	EA	1
024	SE00000539	PIN D2X77 2100B300200	EA	1
025	SE09176166	HEX SCREW M6X16	PC.	1
026	SE00000541	REAR BUMPER R 3161B30000010	EA	1
027	SE09176166	HEX SCREW M6X16	PC.	1
028	SE00000540	REAR BUMPER L 3160B30000010	EA	1
29	SE00000542	BATTERY PACKING 2400B300200	EA	1
30	SE00000543	HANDLE ASSY-BLUE 011B3A1	EA	1
31	SE09176166	HEX SCREW M6X16	PC.	1
32	SE09176166	HEX SCREW M6X16	PC.	1
33	SE00000808	REAR CABINET ASSY(BLUE)	EA	1
34	SE00000548	SCREW PTB 3X20(ZK) 29S09990047	EA	1
35	SE00000548	SCREW PTB 3X20(ZK) 29S09990047	EA	1
36	SE00000549	BATTERY COVER FIXER PIN 2100b3	EA	1
37	SE00000810	JACK RUBBER COVER	EA	1
38	SE00000654	JACK HOLDER ASSY-BLUE 011 AA3	EA	1
39	SE00000521	SCREW PTB 3X8(ZK) 29S16308001	EA	1
40	SE00000652	TERMINAL D ASSY 011 AA2	EA	1
41	SE00000521	SCREW PTB 3X8(ZK) 29S16308001	EA	2
42	SE00000651	TERMINAL 10.8V ASSY 011 AA1	EA	1
43	SE00000521	SCREW PTB 3X8(ZK) 29S16308001	EA	2
44	SE00000556	PHONE CASE PACKING 2400B300400	EA	1
45	SE00000555	MOBILE-PHONE-CASE ASSY 011B3A	EA	1
46	SE00000557	SCREW PTPW 3X10(ZK) 29S1531000	EA	2
47	SE00000819	PCB A ASSY KR	EA	1
48	SE00000521	SCREW PTB 3X8(ZK) 29S16308001	EA	5
49	SE024PC040	PACKING	PC.	1

모델명 : DMR203

도번	부품코드	품명	단위	소요량
50	SE00000806	FRONT CABINET ASSY(BLUE)	EA	1
A01	SE00000500	AC ADAPTER (KR) 3A8A12C903B11	EA	1